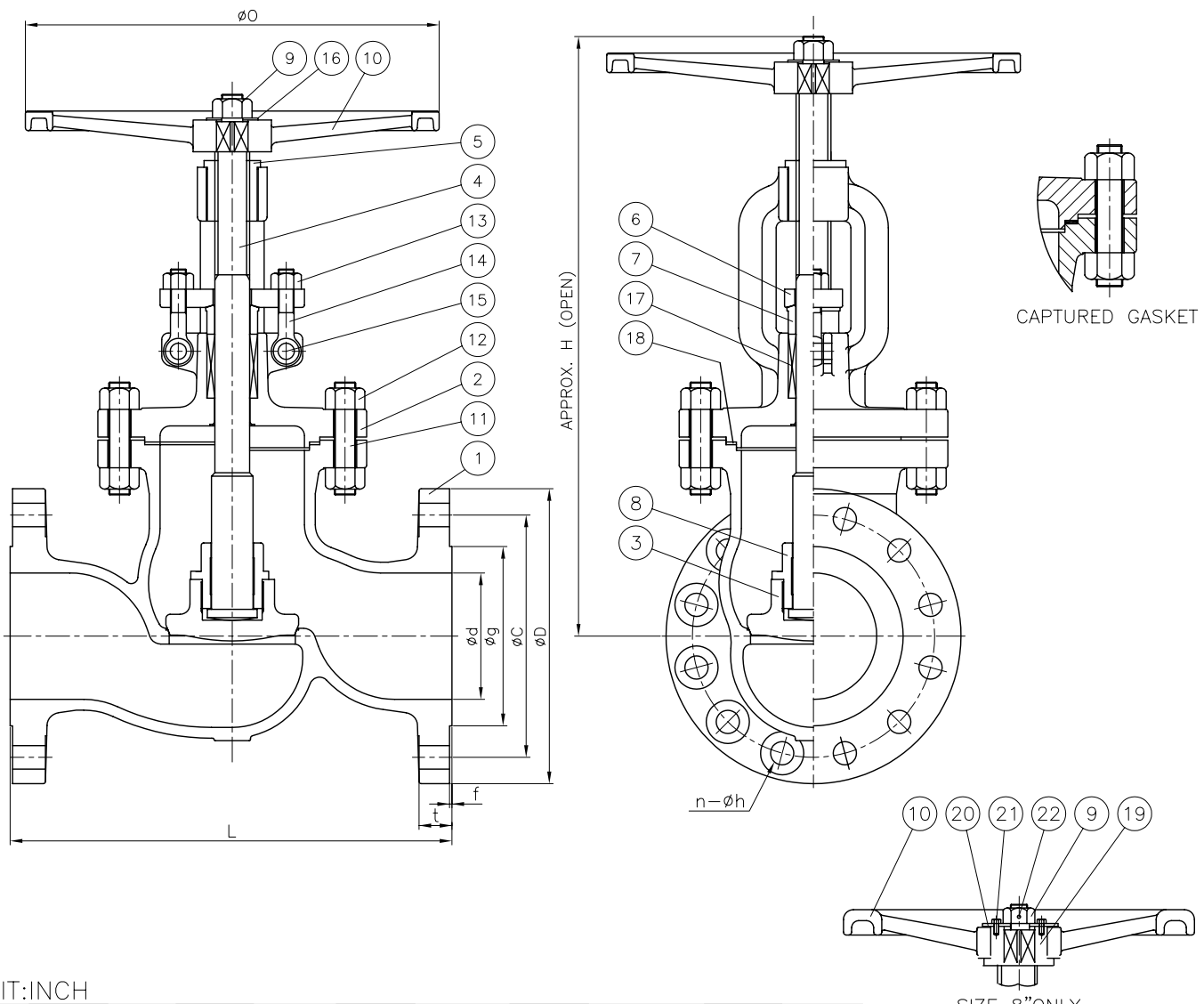


William E. Williams S302F6-316 Class 300 R.F Globe Valve ASTM A351 CF8M



NO.	PART NAME	MATERIAL	Q'TY	REMARK
1	BODY	A351-CF8M	1	
2	BONNET	A351-CF8M	1	
3	DISC	A351-CF8M	1	NOTE 4
4	STEM	A276-316	1	
5	YOKE BUSH	A439-D2 C	1	
6	GLAND FLANGE	A351-CF8	1	
7	PACKING GLAND	A276-316	1	
8	DISC NUT	A351-CF8M	1	
9	HANDWHEEL NUT	A193-B8	1	
10	HANDWHEEL	A536	1	
11	BONNET BOLT/STUD	A193-B8	1SET	
12	NUT	A194-8	1SET	
13	HINGED EYE BOLT	A276-304	2	
14	NUT	A194-8	2	
15	HINGE PIN	A276-304	2	
16	WASHER	A240-304	1	
17	PACKING	SEE NOTE 5.	1SET	
18	GASKET	SEE NOTE 5.	1	
19	IMPACTOR BOSS	A536	1	
20	HANDWHEEL COVER	A283-D	1	
21	BOLT	A307-B	1SET	
22	SPLIT PIN	A276-304	1	

- NOTE:**
1. WALL THICKNESS : ANSI B16.34 CLASS 300
 2. FACE TO FACE DIMENSIONS : ANSI B16.10 CLASS 300
 3. END FLANGE DIMENSIONS : ANSI B16.5 CLASS 300
 4. SIZE 2" AND SMALLER : A276-316
 5. GRAPHITE OR PTFE :(SPECIFY WHEN ORDERED)

UNIT: INCH

SIZE	L	d	D	C	g	t	f	n- h	phi_0	H
0.50	6.000	0.50	3.750	2.625	1.385	0.5625	0.062	4-0.625	3.935	7.285
0.75	7.000	0.75	4.625	3.250	1.687	0.6250	0.062	4-0.750	3.935	7.635
1.00	8.000	1.00	4.885	3.500	2.000	0.6850	0.062	4-0.750	5.500	8.825
1.50	9.000	1.50	6.125	4.500	2.885	0.8125	0.062	4-0.885	7.086	10.50
2.00	10.50	2.00	6.500	5.000	3.625	0.8850	0.062	8-0.750	7.086	12.95
2.50	11.50	2.50	7.500	5.885	4.125	1.0000	0.062	8-0.885	7.875	13.95
3.00	12.50	3.00	8.250	6.625	5.000	1.1250	0.062	8-0.885	8.812	13.07
4.00	14.00	4.00	10.00	7.885	6.185	1.2500	0.062	8-0.885	11.82	17.43
5.00	15.75	5.00	11.00	9.250	7.296	1.3850	0.062	8-0.885	13.78	19.68
6.00	17.50	6.00	12.50	10.62	8.500	1.4375	0.062	12-0.88	15.75	22.32
8.00	22.00	8.00	15.00	13.00	10.62	1.6250	0.062	12-1.00	17.72	24.21

WILLIAM E. **WILLIAMS**
 VALVE CORPORATION
 38-52 REVIEW AVE L.I.C N.Y 11101

TITLE : CAST STAINLESS STEEL GLOBE VALVE

06/01	CAPTURED GASKET	MAT'L: CF8M	SCALE: NON	SHEET:
DATE	REVISION RECORD	DATE	DR. Liang	CHK. APP'D
				DWG# 11GL060172

STYLE: B.B CLASS: 300
 Fig# S302F6-316 SIZE: 1/2-8"